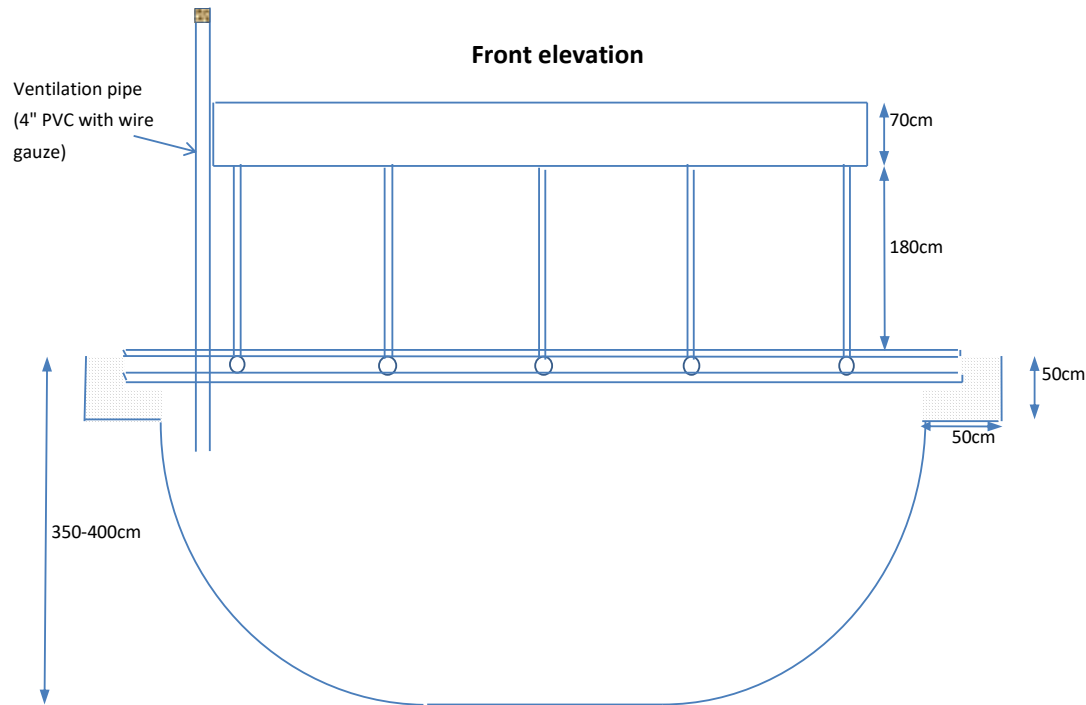
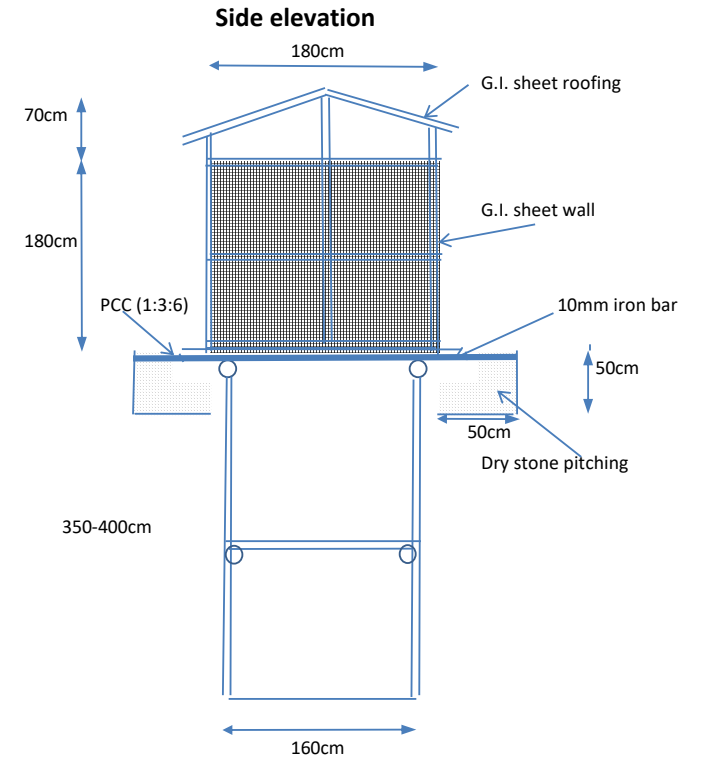
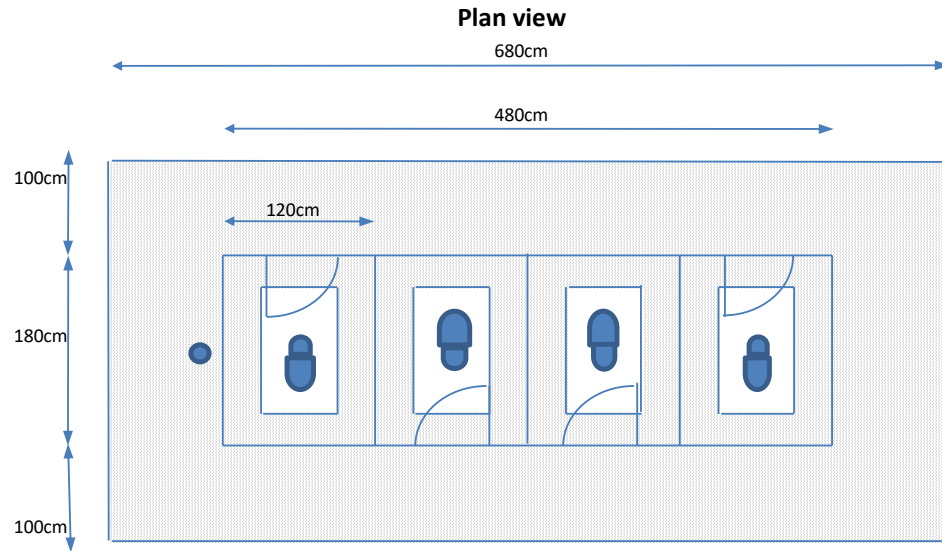


APPENDIX A - LATRINE DESIGN & DIMENSIONS



Semi-Permanent Latrine - Drawing

(Not to Scale)

NRC